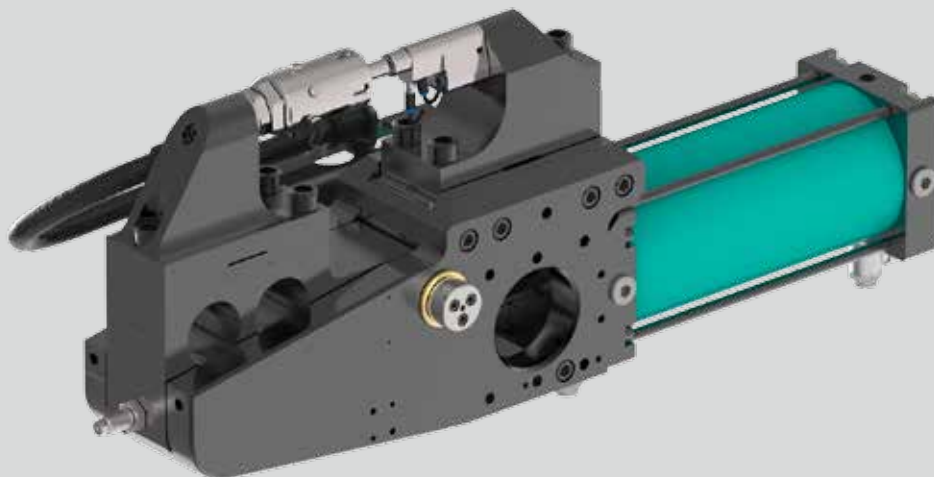


# TOX®-PowerKurve Type KKG

Data sheet 90.30  
2016/12



# TOX<sup>®</sup>-PowerKurve with pneumatic drive

The TOX<sup>®</sup>-PowerKurve consists of the base unit (KKx), the jaws, the tools and accessories. The jaws, tools and accessories are matched to your specific requirements. Following are the technical details of the base unit.

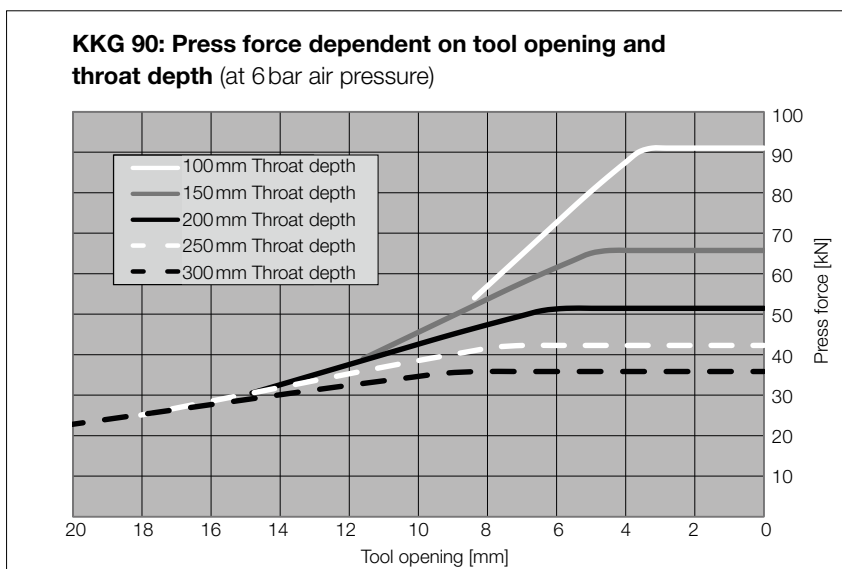
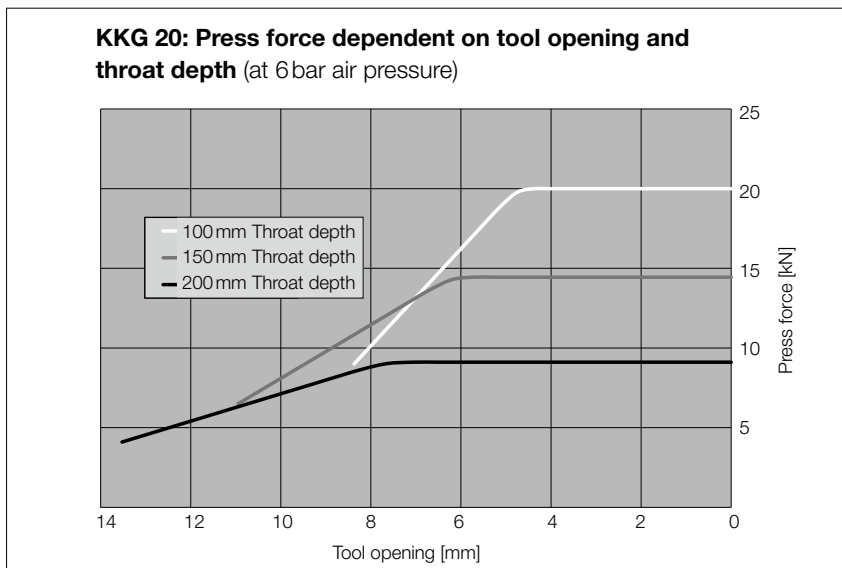
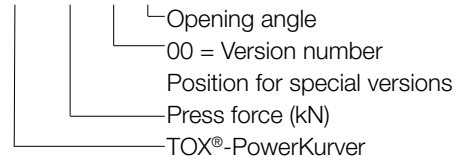
### Scope of delivery:

The TOX<sup>®</sup>-PowerKurve assembled according to order number. The jaws are not included with the base unit and need to be ordered separately.

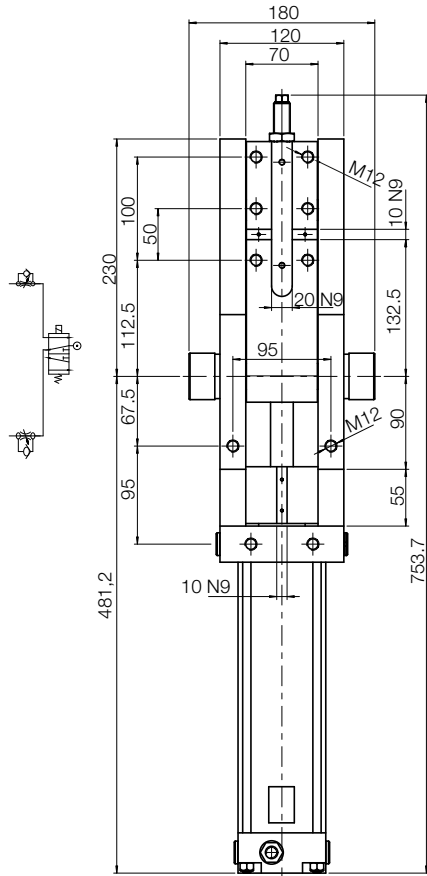
### Ordering example:

KKG 020.00.90

KKG 090.00.90

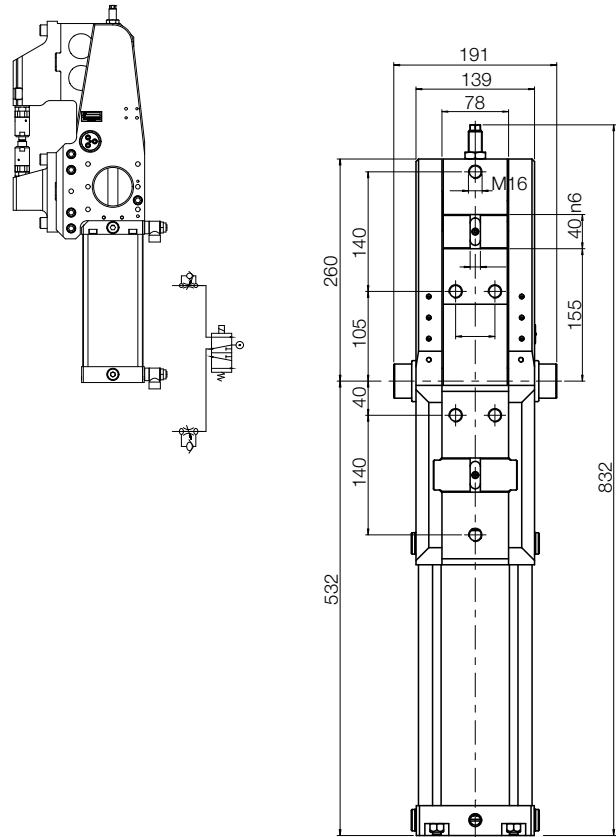


## Type: KKG 20



KK 20 base unit

## Type: KKG 90



KK 90 base unit

### Technical data:

Additional function:	End position cushion
Min. air pressure:	3 bar
Max. air pressure:	6 bar
Weight: approx.(without jaws):	37 kg
Max. Press force:	20 kN
Opening angle:	30°/45°/60°/75°/90° can be changed subsequently
Power stroke (adjustable):	4 mm

### Note:

KKG 20: Can not be used for punching applications.

### Technical data:

Additional function:	End position cushion
Min. air pressure:	3 bar
Max. air pressure:	6 bar
Weight: approx.(without jaws):	53 kg
Max. Press force:	90 kN
Opening angle:	30°/45°/60°/75°/90° fixed
Power stroke (adjustable):	3.5 mm

### Note:

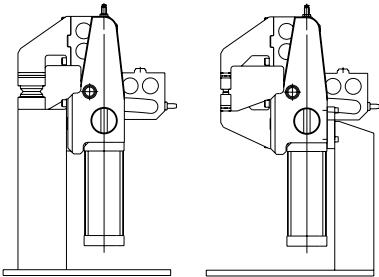
KKG 90: In punching operations only 50% of the nominal force of the TOX®-PowerKurve may be utilised.

# Accessories

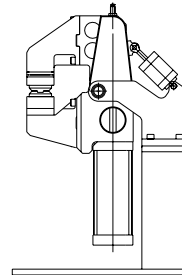
---

## Equalizing mounting pedestal KKZ 06 for KK 90

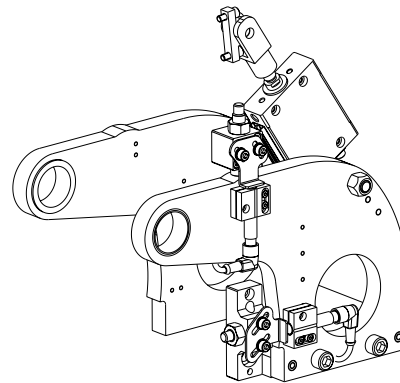
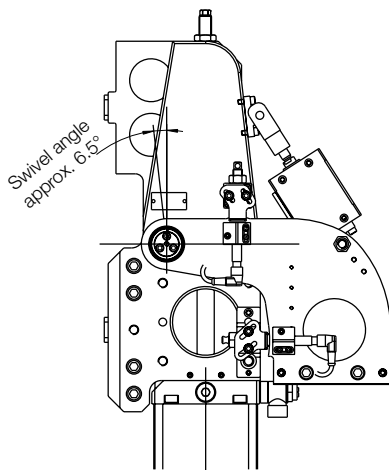
Mounting variants without equalizing mounting pedestal



Mounting variant with equalizing mounting pedestal



The TOX®-PowerKurve can be mounted in various ways. One of the common ways is with the TOX® swivel equalizing pedestal.



### Scope of delivery:

Swivel pedestal complete with bushings and dampening elements, without mounting screws.

**Order No.** KKZ 06

A simplified version for the KK 20 TOX®-PowerKurve is available on request.

### End position switch

Contactless 24V. The upper end position switch can be used as a tool position sensor within the power stroke, as due to the large mechanical intensification ratio a accuracy of for example  $\pm 1/100\text{mm}$  at a jaw length of 100mm is achieved.

**Order No.** KKZ 03.000

